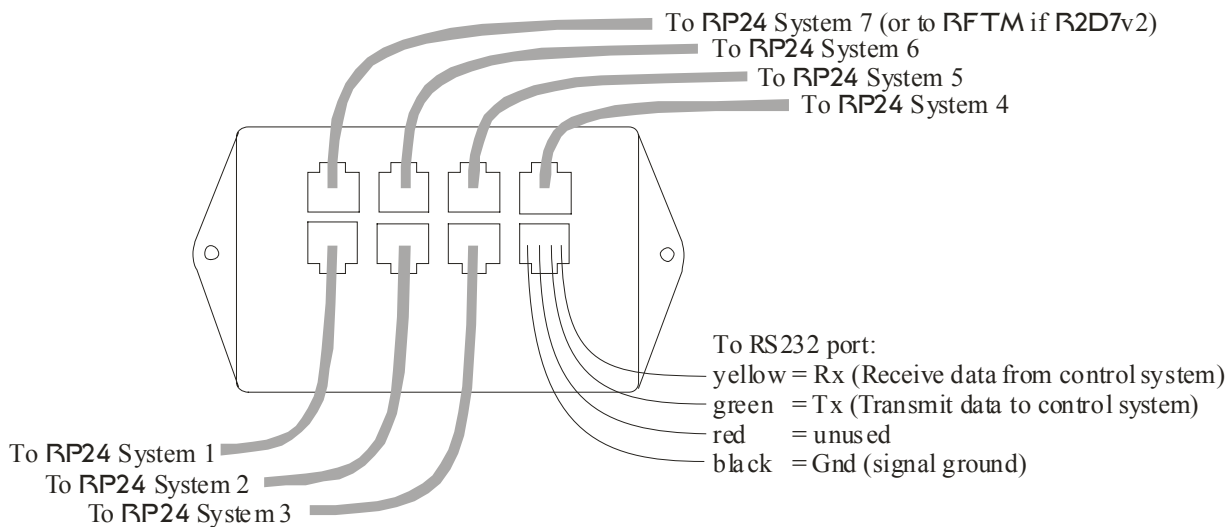


# R2D7

## RS232 Interface to Many Window Treatment Receivers



Up to 24 RP24 receivers per system or 93 RFTM systems if R2D7v2

### *Interfacing Home Automation with Window Covering Automation Made Easy*

Home Automation Integrators, you are not alone, we *understand* your automation interface challenges.

Ever struggled with controlling shades and window coverings on projects because of complex interface issues?

Using the new R2D7, you can easily install and control state of the art automation for window treatments with the controls, interfaces, and protocols that you are familiar with.

Your serial controller can now:

- Control multiple RP24 systems (one RS232 connection to control up to 168 motors or 2,376 motors if R2D7v2 with RFTM)
- Use the addressing ability of our RP24 receivers and one simple command, you can control:
  - Individual shades
  - Sub groups of shades
  - All the shades

Now you have appropriate shade control, regardless of shade type, motor type, or the mechanical needs of the window treatment.